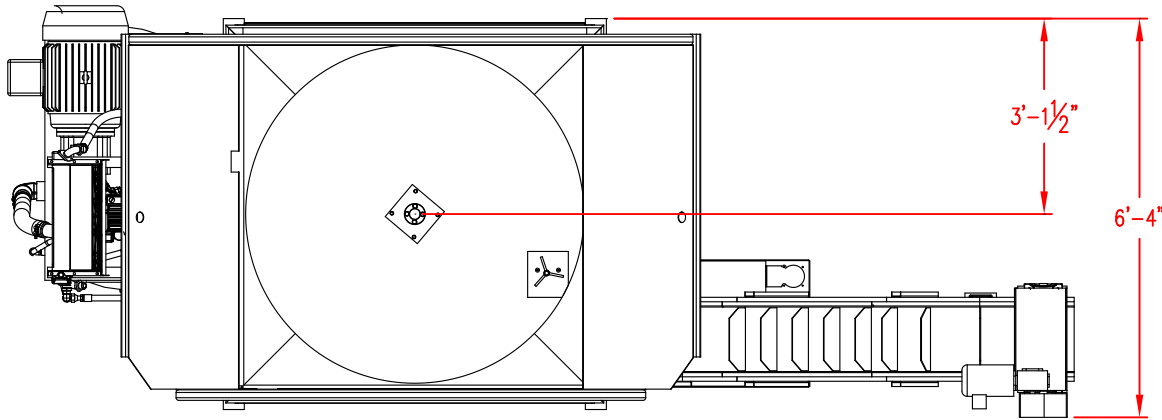


APPROVED FOR PRODUCTION

By : _____
Date : _____



CONFIDENTIAL INFORMATION

This drawing and all information contained in it is the property of ARS INC. and may not be reproduced, disclosed to any other person or used in any manner except as authorized in writing by ARS INC.

